



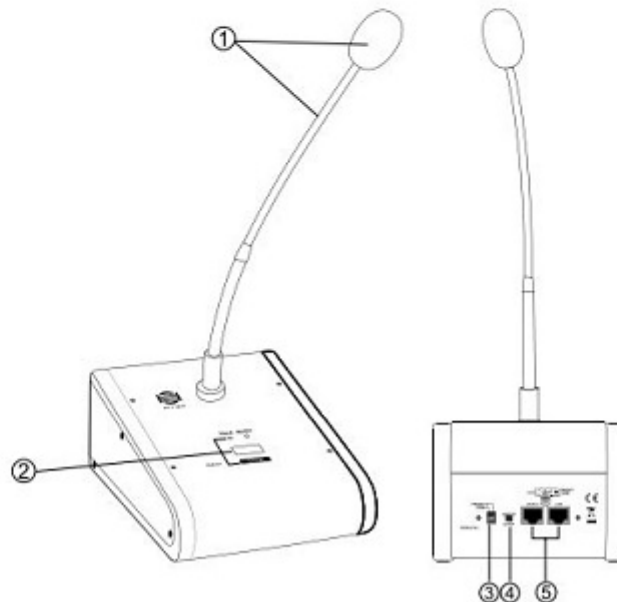
PM-01 and PM-06 are desktop paging microphones specially designed to operate with PS-2406 and PS-4806 paging amplifiers.

PM-01 is a desktop microphone designed to operate with PS-2406 / PS-4806. It can be used as a slave unit or as a master unit through a back panel selector. Up to 3 PM-01 can be connected to the PS devices which supply the power without the need of extra connection. PM-06 is a paging station controlling up to six zones separately with an "ALL ZONE" function. PM-06 can also be used as a slave or as a master unit through a dip switch selector. In addition to the Mic input a RCA input is available for an external sound source. Audio signal is converted in AES3 through Cat5e cable which allows a distance connection over 100 meters. PM-06 has a built-in chime function where the sound can be modified by connecting the USB port to a PC. It can launch up to 6 messages stored in the PS main frame and controls over Play/Stop/Repeat functions.

PM-01 FUNCTION DESCRIPTION

PM-01 is a Desktop Microphone, which specially designed to be worked with PS-2406/4806 paging system.

- It has general microphone's function;
- It can set Master or Slave mode.
- It can set CHIME and priority by DIP switch;
- One host can connect with 3 set PM-01 max;
- With status indicators on panel;
- Power is supplied by PS-2406/PS4806, no need for external power supply;



Features

- Work with PS-2406/4800
- Slave or Master mode
- Paging up to 6 zones (PM-06)

Specifications

MODEL PM-01

Front Controls Push to Talk switch with red LED

Rear Controls DIP Switches for Priority and Chimes ON/OFF

MASTER / SLAVE selector

Output OUTPUT: RJ-45 for connection to PS-2406/4806

LINK: RJ-45 for daisy-chain connection with two additional PM-01
