

Left Bracket for Electric Bolt Lock

L04D-L



Specification

Lock delay: 0/3/6 seconds adjustable

Door opening method: lock with power on, unlock with power off

Panel material design: aluminum alloy material

External dimensions: 148 * 44 * 39mm

Product weight: 1kg

Lower clamp size: 148 * 44 * 25mm

Lock tongue size: diameter 12mm, extension length 13mm

Working voltage: DC12V

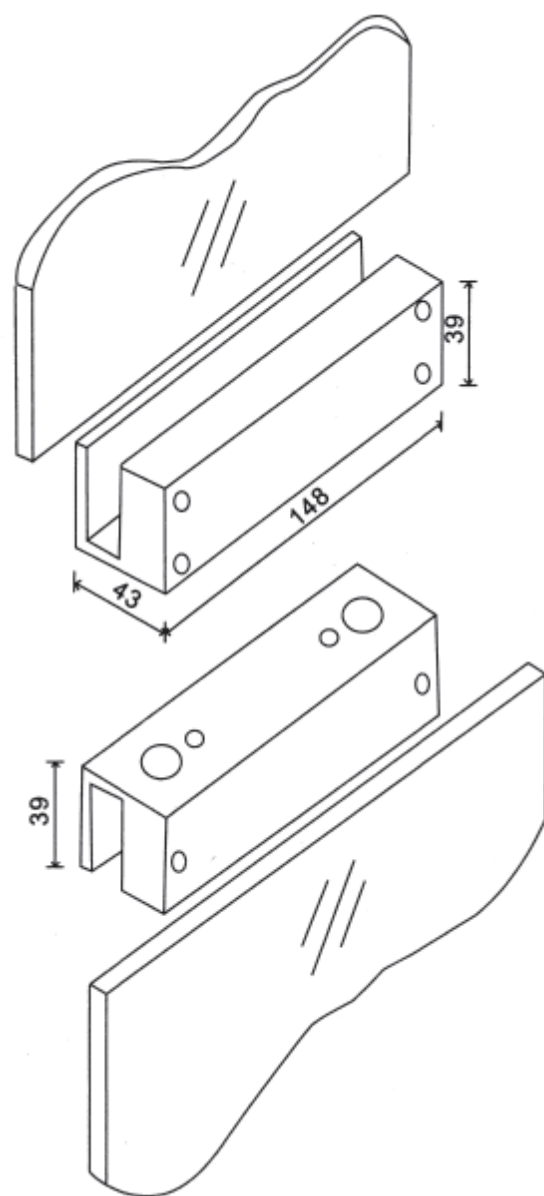
Starting current: 1.2A

Lock core strength: Thickened stainless steel can withstand 1000Kg

Relative humidity: 0% -90%

Applicable : suitable for frameless glass doors

Installation



Wiring diagram

