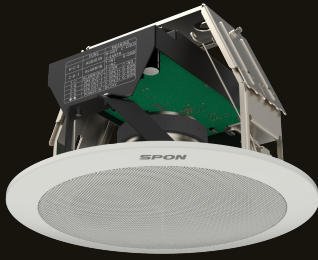


## GEN-6213A01

### Network ceiling speaker



The GEN-6213A01 is a PoE/DC-powered ceiling speaker that supports SIP and VMS calls, handles up to 20 multicast streams, and stores 20 audio files. It features priority management, timers, custom event actions (via HTTP API), and supports up to three external constant impedance speakers, ideal for use in hotels, stores, and similar settings.

SIP

Onvif

POE

Multicast



## MAIN FEATURES

### ▲ Audio Integration and Flexibility

The GEN-6213A01 supports various audio protocols, including SIP (for VoIP communication), ONVIF (for audio backchannel in video management systems), and multicast (supporting up to 20 addresses). This allows it to easily integrate with existing IP networks and various systems.

### ▲ Local audio file storage and playback

The device has built-in storage that supports up to 20 audio files (total capacity of 80MB), which can play WAV and MP3 formats. It supports various playback modes, including scheduled playback, repeat, and interval playback, making it ideal for applications such as timed announcements and emergency broadcasts.

### ▲ Easy installation and control

The speaker features a simple design with spring clamp installation, making the setup process quick and easy. Additionally, the GEN-6213A01 supports remote control via HTTP commands or physical inputs to trigger playback. It includes 2 control inputs and 1 control output, facilitating easy integration with other devices.

# SPECIFICATION

## Power Parameters

Power Supply DC24V  
PoE (IEEE802.3af/at)

Power Cons ≤3W

## Audio & Interface Parameters

Power Output 4\*3W (Use DC 24V)  
4\*3W (Use POE/POE+)

Frequency Response 100~16KHz

Sensitivity 90dB

Max SPL 95dB

Audio Trans Multicast , ×20(Editable)

Audio Codec Opus, PCMU (G.711u),  
PCMA (G.711a), G.722

Audio Input ×1, Line/Mic  
input(Balanced,Switchable)

Input Sensitivity -10dB(Line) , -20dB(Mic)

Control Input ×2

Control Output ×1

Speaker interface ×3

Bluetooth Input ×1 ,2.4GHz

Audio Storage Max 20 audio files ,80MB

Audio File Format\* WAV, MP3

## Network Parameters

Network I/F 100BASE-TX ,RJ45  
Connector

Network Protocol TCP/IP,UDP,HTTP,RTP,RTSP  
ARP,ICMP,NTP,SIP,ONVIF

Config Method Web Interface or DevConfig  
Tool

## Mechanical & Environment Properties

Mounting Method Recessed Installation

Install Env Indoor Locations

Working Temp -10°C~+50°C

Housing Material Sheet Metal,ABS

Color White

Dimensions φ180\*120.5mm

Hole Dimension φ150mm

Weight 630g

Warranty 2 Years

## ACCESSORIES

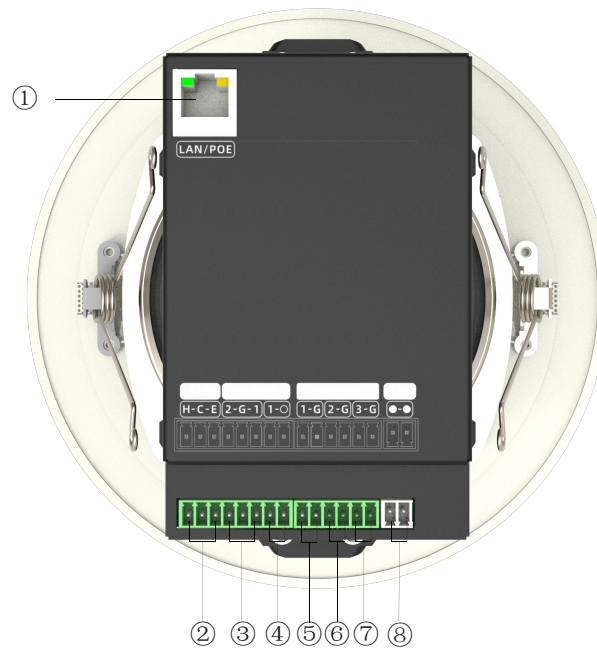
1×2pin Terminal(3.81-2P)

1×6pinTerminal(3.5-6P)

1×8pin Terminal(3.5-8P)

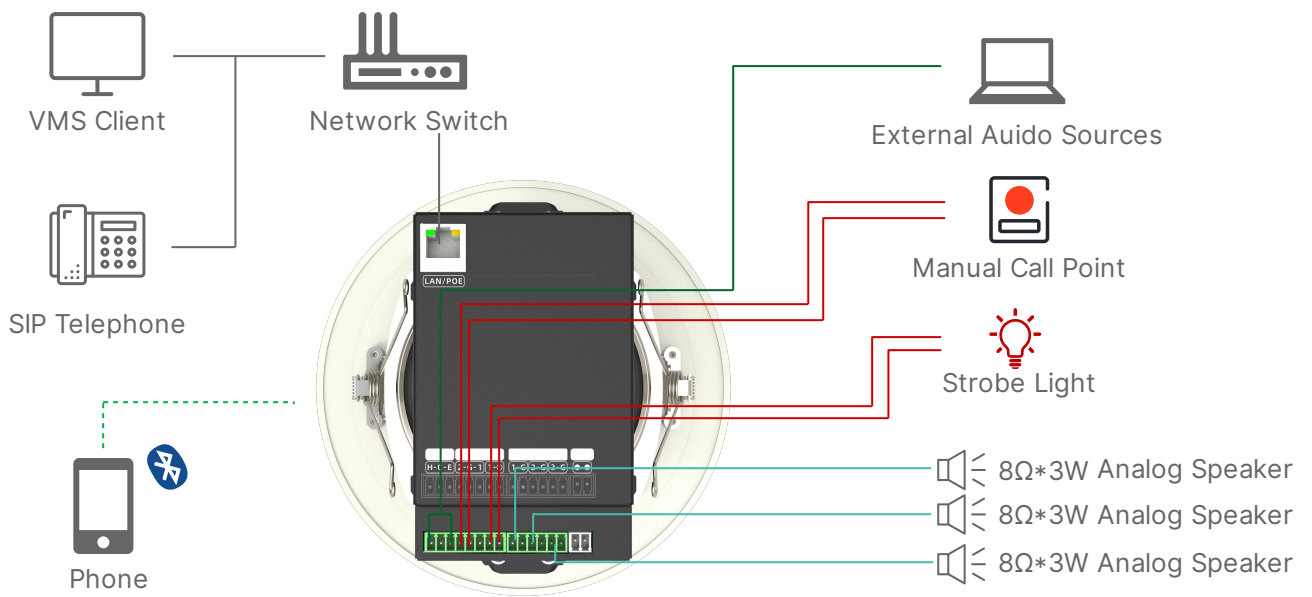
1 × Installation Manual

## INTERFACE DESCRIPTION



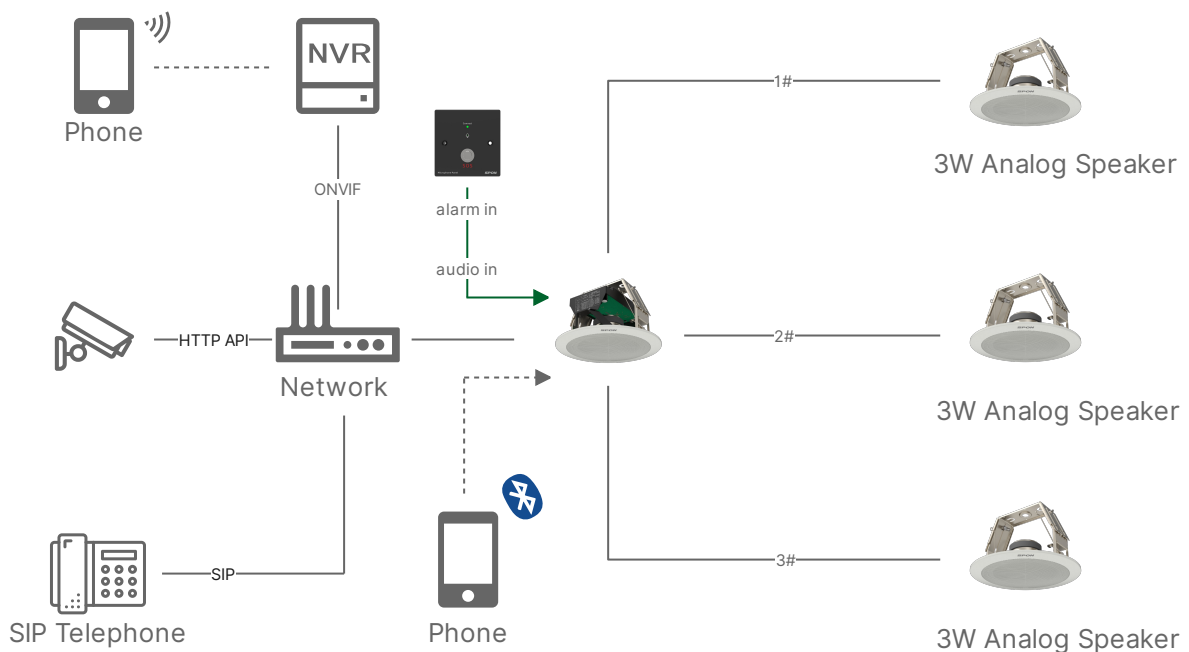
- ① RJ45 Connector
- ② Line/Mic Input Terminal
- ③ Alarm Input Terminal
- ④ Alarm Output Terminal
- ⑤ Speaker Output 1# Terminal
- ⑥ Speaker Output 2# Terminal
- ⑦ Speaker Output 3# Terminal
- ⑧ Power Input

## CONNECTION DIAGRAM

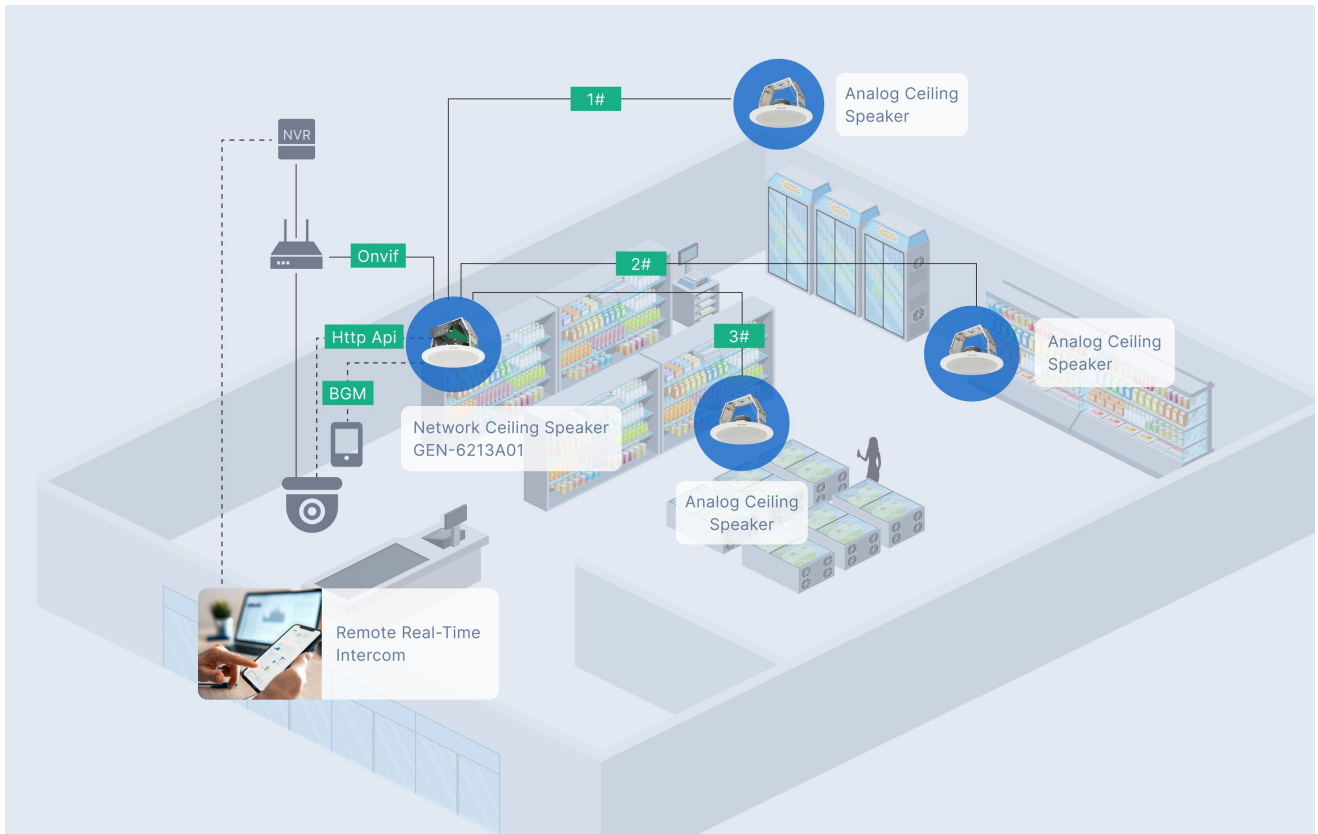


## APPLICATION

The GEN-6213A01 network ceiling speaker supports direct calls from SIP or VMS platforms and includes three analog speaker interfaces for connecting up to three 8Ω 3W speakers, offering better sound coverage. It also features Bluetooth for mobile audio playback, making it ideal for retail environments.



# RETAIL STORE APPLICATION



# INSTALLATION

